



California Faucets®

Descanso®

Squeeze Lever Pull-Down Kitchen Faucet - Quad Spout

Features

- 25+ artisan finishes including 12 PVD finishes
- All brass construction including sprayhead
- 360° rotating spout
- PDS™ "Positive Docking System" secures sprayhead
- Squeeze lever activates spray mode
- Spray jets have easy-to-clean surface
- Quiet polymer-braided hose with rotating joint
- Ceramic disc cartridge
- Max flow rate: 1.8 gpm (6.8 L/min)

Codes/Standards Applicable

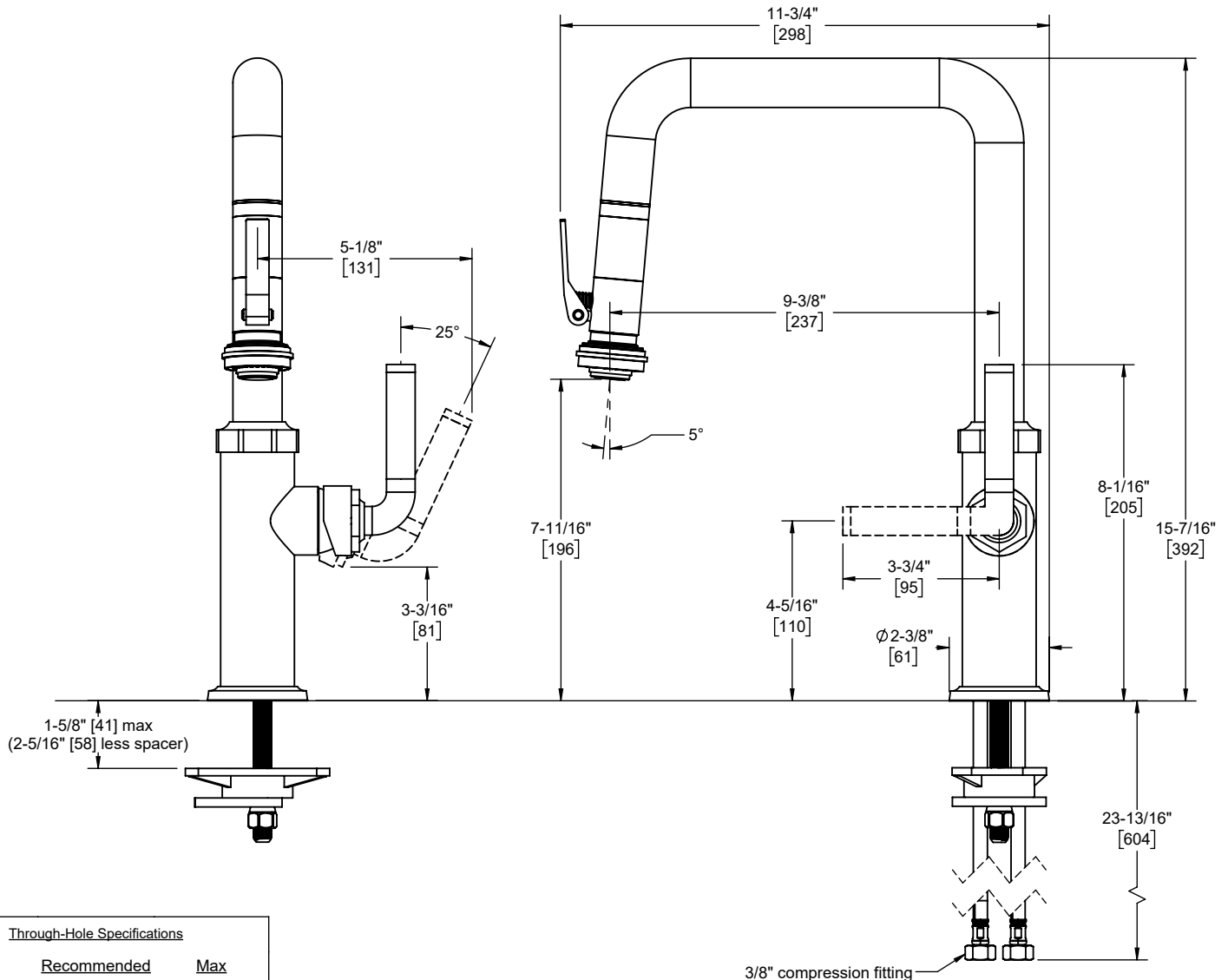
Product meets or exceeds the following:

- ASME A112.18.1/CSA B125.1
- NSF 61, NSF 372, CEC, & DOE
- Commonwealth of MA
- ADA compliant

K30-103SQ-FL
K30-103SQ-KL
K30-103SQ-SL
K30-103SQ-TL



K30-103SQ-FL-ZZ shown



Through-Hole Specifications		
Min	Recommended	Max
Ø 1-1/4" [32]	Ø 1-3/8" [35]	Ø 1-3/8" [38]

Specifications subject to change without notice

Dimensions are inches, rounded to 1/16"
[Dimensions in brackets are mm, rounded to 1mm]